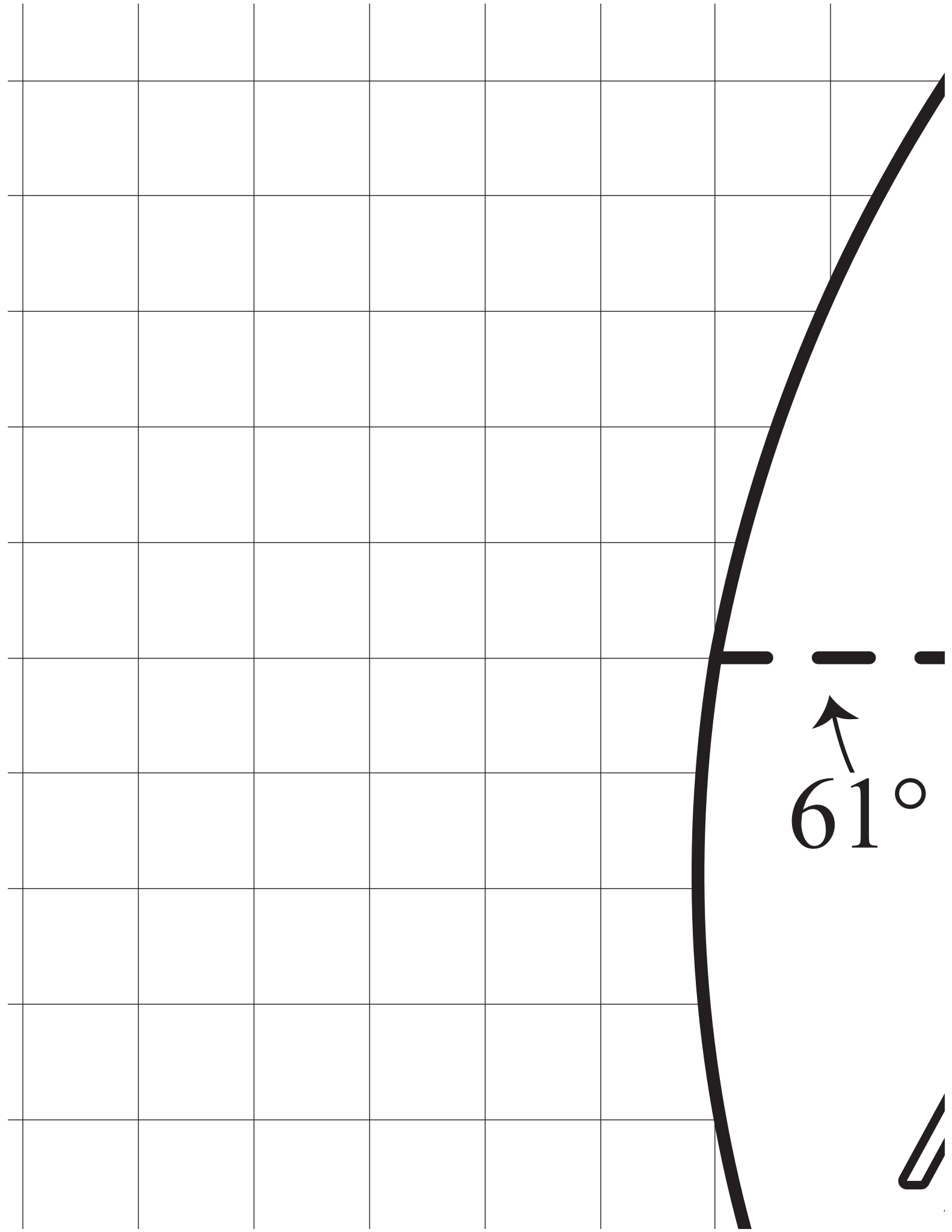
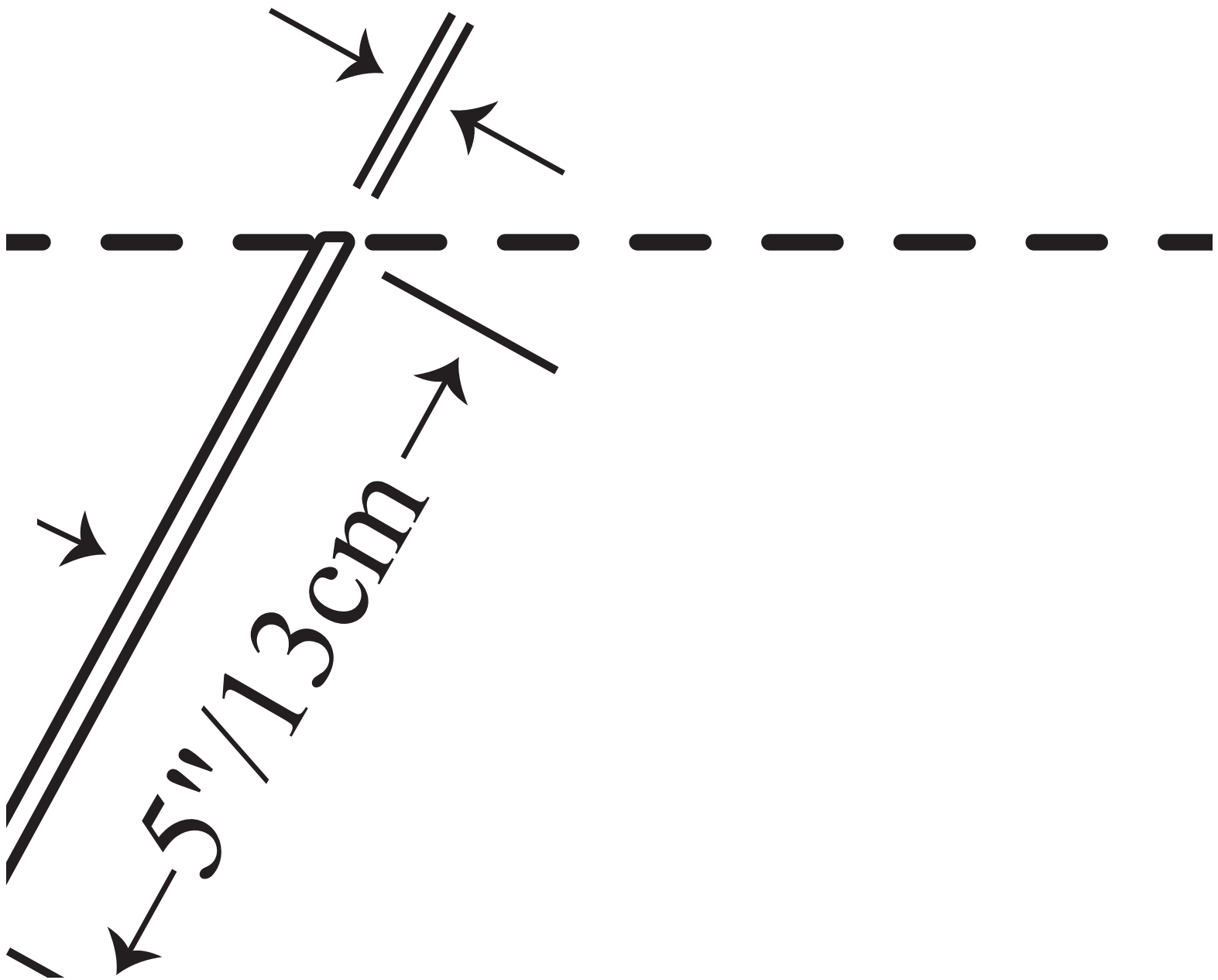


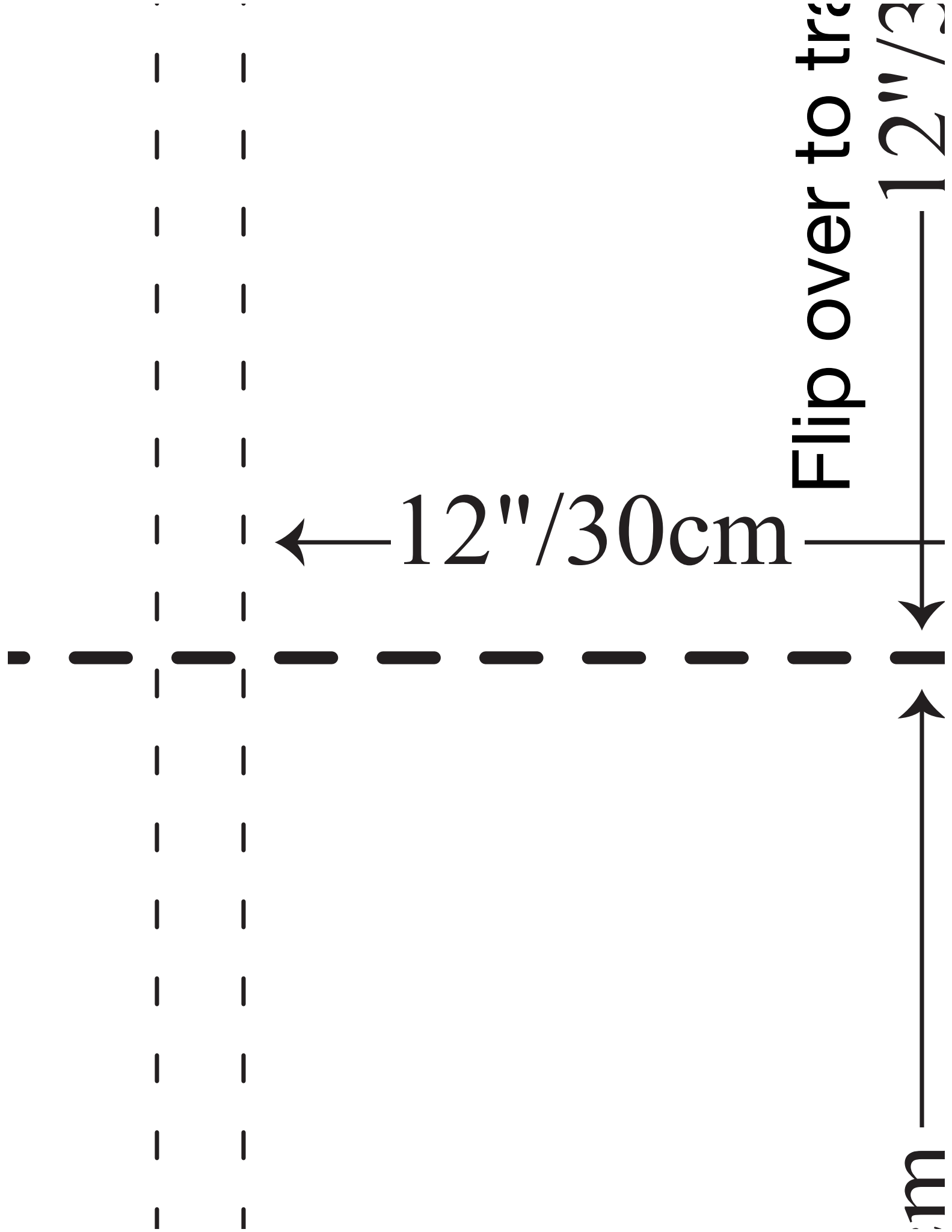
○

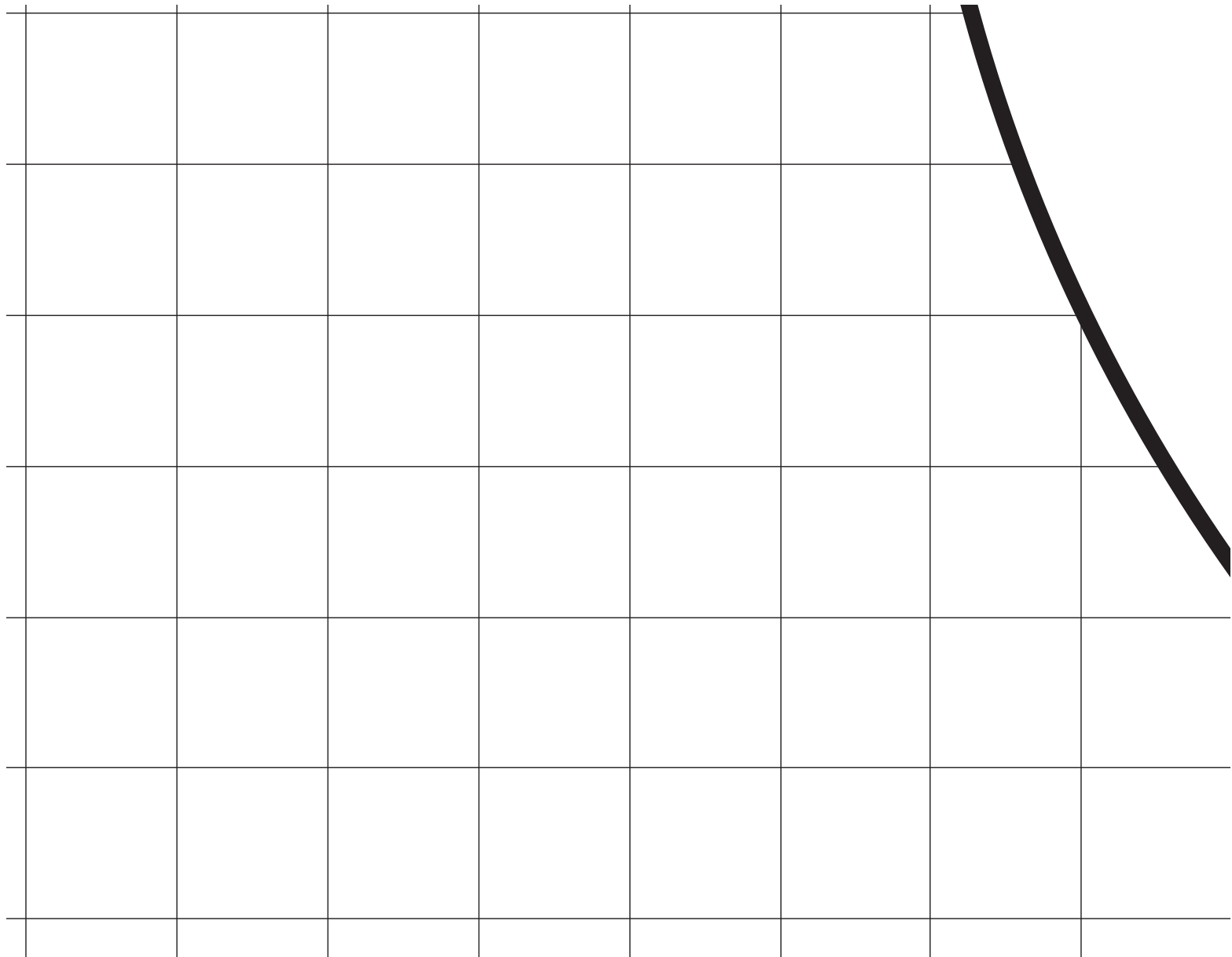
8 1/4

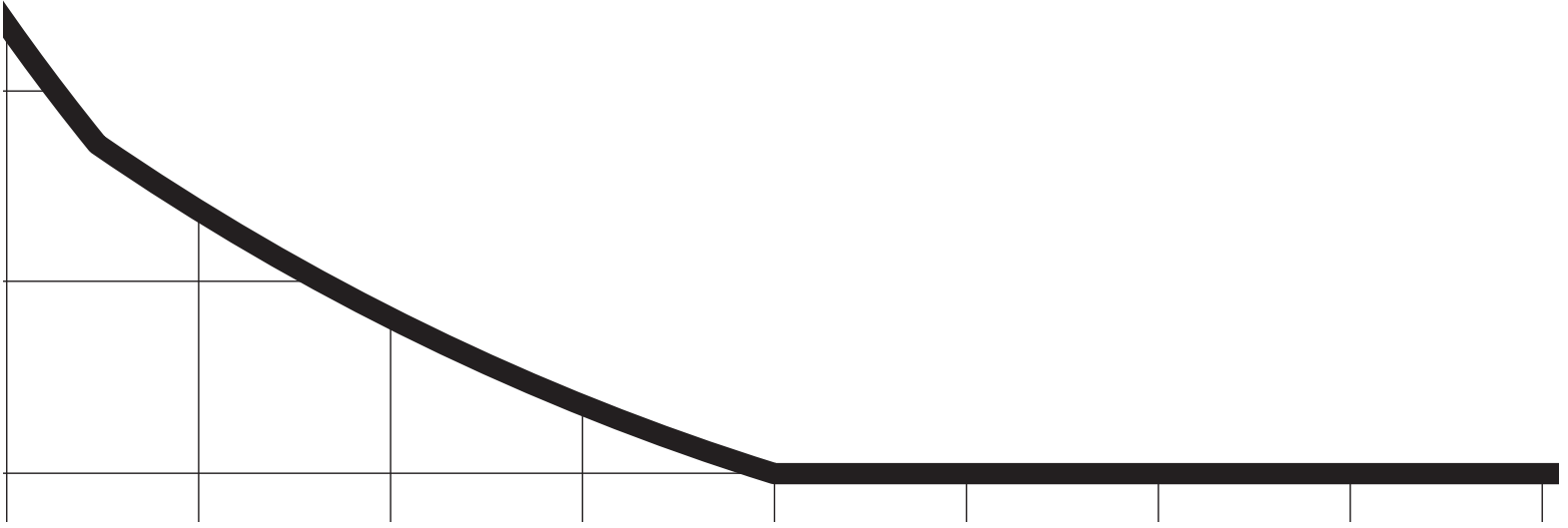


narrow slot, width of
cardboard thickness
(about $\frac{1}{8}$ " / 0.3cm)











11"/28c

